



HIH36SC100N2U6Q0N

## BOLT HOLE SWIVEL CASTOR Ø 100 MM SERIES N2U6 ROLLER BEARING STAINLESS STEEL

### WHEEL

|                      |   |
|----------------------|---|
| wheel diameter in mm | 100                                       |
| wheel width in mm    | 32  |
| hub width in mm      | 40  |
| screw size           | M8  |
| tread                | thermopl. polyurethane 95° shore A<br>red |
| wheel center         | polyamide grey                            |
| bearing              | roller bearing stainless steel            |
| threadguard          | without separate threadguard              |
| temperature range    | -40°C to +80°C                            |



### HOUSING

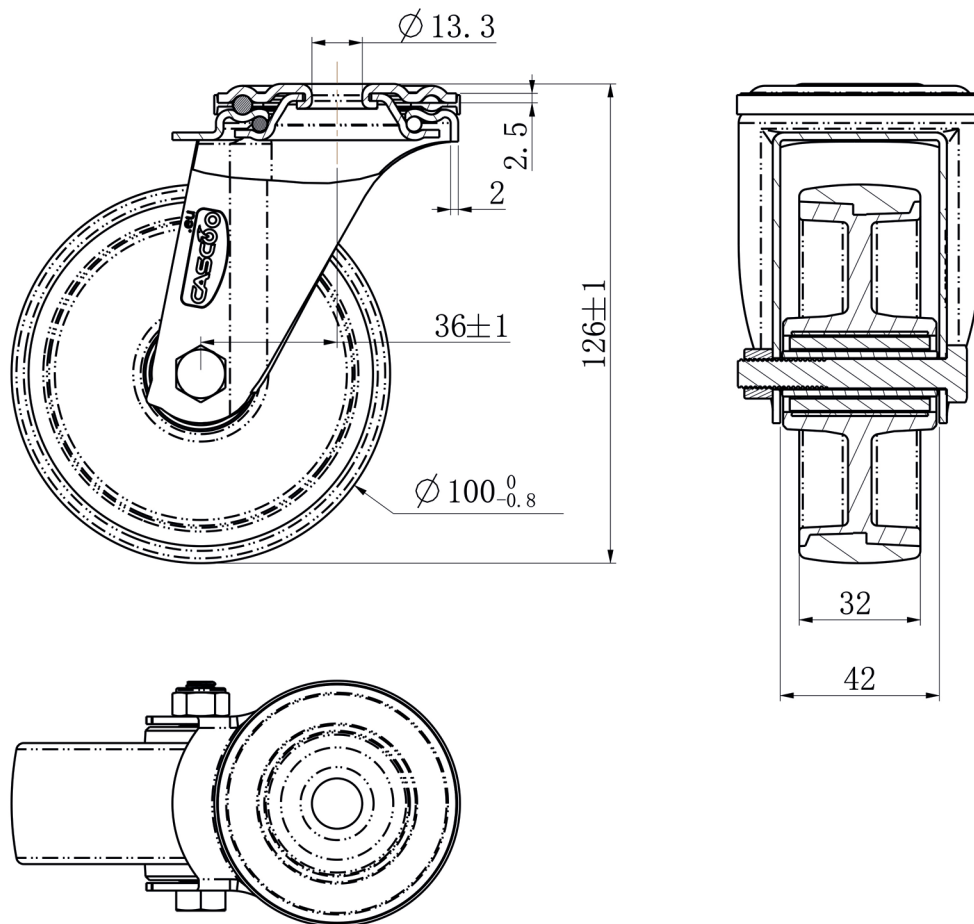
|                                  |              |
|----------------------------------|--------------|
| material thickness fitting in mm | 2.50         |
| material thickness fork in mm    | 2.00         |
| fitting                          | bolt hole    |
| mounting dimension in mm         | 13           |
| offset dimension in mm           | 36           |
| total height in mm               | 126          |
| swivel radius in mm              | 0            |
| dyn. load capacity in kg         | 150          |
| test norm                        | DIN EN 12532 |

**CASCOO Europe GmbH**

Lütke Haar 15 • 59602 Rüthen • Germany  
+49 2952 - 970629-0  
info@cascoo.eu • www.cascoo.eu

HIH36SC100N2U6Q0N

# BOLT HOLE SWIVEL CASTOR Ø 100 MM SERIES N2U6 ROLLER BEARING STAINLESS STEEL



**CASCOO Europe GmbH**

Lütke Haar 15 • 59602 Rüthen • Germany  
+49 2952 - 970629-0  
info@cascoo.eu • www.cascoo.eu