

HBH85WC125N2U6R1W

BOLT HOLE SWIVEL CASTOR Ø 125 MM SERIES N2U6 ROLLER BEARING

WHEEL

wheel diameter in mm	125
wheel width in mm	32
hub width in mm	50
screw size	M10
tread	thermopl. polyurethane 95° shore A red
wheel center	polyamide grey
bearing	roller bearing
threadguard	small metal threadguard
temperature range	-40°C to +80°C



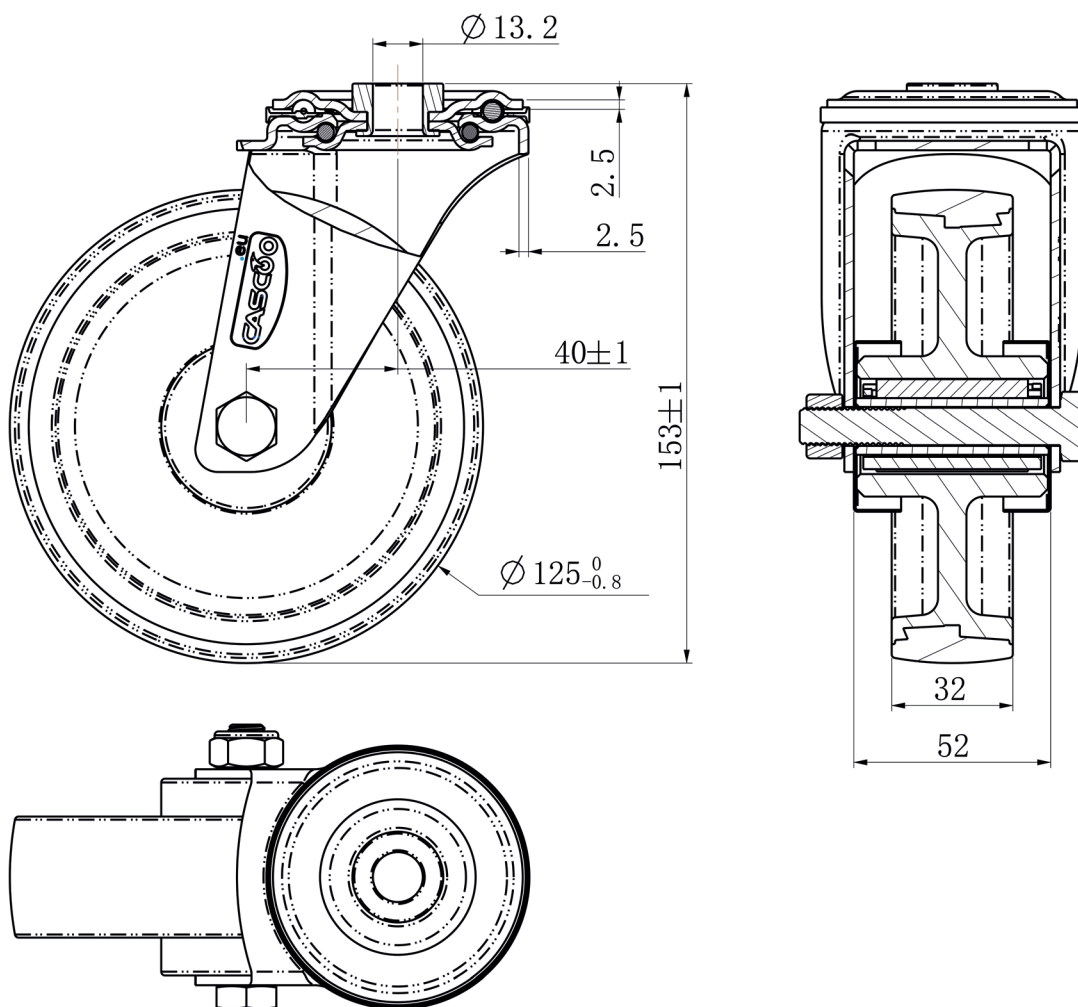
HOUSING

material thickness fitting in mm	2.50
material thickness fork in mm	2.50
fitting	bolt hole
mounting dimension in mm	13
offset dimension in mm	40
total height in mm	154
swivel radius in mm	0
dyn. load capacity in kg	160
test norm	DIN EN 12532



HBH85WC125N2U6R1W

BOLT HOLE SWIVEL CASTOR Ø 125 MM SERIES N2U6 ROLLER BEARING



CASCOO Europe GmbH

Lütke Haar 15 • 59602 Rüthen • Germany
+49 2952 - 970629-0
info@cascoo.eu • www.cascoo.eu