

BIH36SC100N2U6Q0N

## BOLT HOLE SWIVEL CASTOR WITH TOTAL BRAKE Ø 100 MM SERIES N2U6 ROLLER BEARING STAINLESS STEEL

### WHEEL

wheel diameter in mm	100
wheel width in mm	32
hub width in mm	40
screw size	M8
tread	thermopl. polyurethane 95° shore A red
wheel center	polyamide grey
bearing	roller bearing stainless steel
threadguard	without separate threadguard
temperature range	-40°C to +80°C



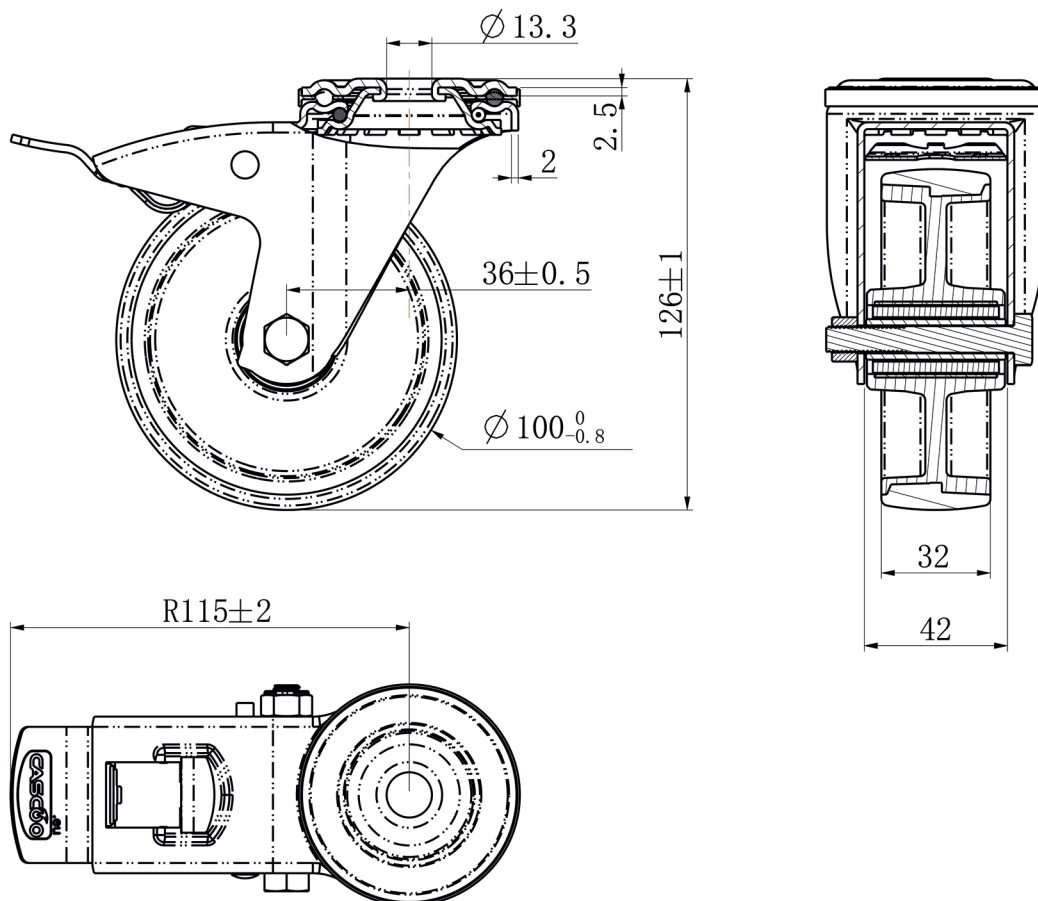
### HOUSING

material thickness fitting in mm	2.50
material thickness fork in mm	2.00
fitting	bolt hole
mounting dimension in mm	13
offset dimension in mm	36
total height in mm	126
swivel radius in mm	115
dyn. load capacity in kg	150
test norm	DIN EN 12532

**CASCOO Europe GmbH**Lütke Haar 15 • 59602 Rüthen • Germany  
+49 2952 - 970629-0  
info@cascoo.eu • www.cascoo.eu

BIH36SC100N2U6Q0N

# BOLT HOLE SWIVEL CASTOR WITH TOTAL BRAKE Ø 100 MM SERIES N2U6 ROLLER BEARING STAINLESS STEEL



**CASCOO Europe GmbH**

Lütke Haar 15 • 59602 Rüthen • Germany  
+49 2952 - 970629-0  
info@cascoo.eu • www.cascoo.eu